



D 600 AP
D 600 APG
D 1000 AP
D 1000 APG



www.ausa.com



AUSA Center, S.L.U.
 C/ Castelladral 2
 08243 Manresa - Barcelona
 SPAIN
 Tel.: +34 93 874 73 11
ausa@ausa.com
www.ausa.com

AUSA France 11 Rue Gustave Eiffel, 66350 TOULOUGES - Tel.: +33 (0) 4 68 54 38 97 - E-mail: ausa.france@ausa.fr
AUSA UK Tel.: +44 (0) 7703 60 9009 - E-mail: ausa.uk@ausa.com
AUSA Central Europe Tel.: +49 2384 9415725 - E-mail: info@ausa.de
AUSA Brasil LTDA R Jose Selega, 51 PQ EMPR. ADELMO CORRADINI - Tel.: +55 11 9 8786 6014 - E-mail: mccarmacio@ausa.com
AUSA U.S. CORP. Tel.: +1 (917) 328 0770 - E-mail: ausa.us@ausa.com
AUSA Beijing Rep. Office Room 403, Moma Building, N.199 - Chaoyang bei road, Chaoyang District - 100026 BEIJING
 Tel.: +86 10 8598 7386 - E-mail: ausa.china@ausa.com

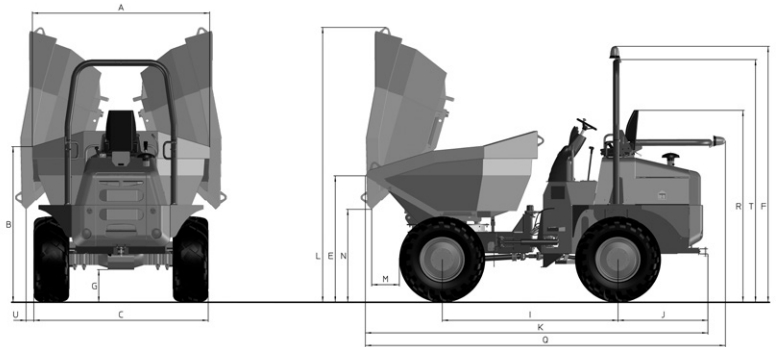
D 600 AP _6000 Kg
D 600 APG _6000 Kg
D 1000 AP _10000 Kg
D 1000 APG _10000 Kg



www.ausa.com

DIMENSIONS mm	D 600 AP/Plus	D 600 APG/Plus	D 1000 AP	D 1000 APG
A	2295	2140	2455	2475
B	1920	2080	2360	2340
C	2170	2170	2425	2425
E	1635	1680	1660	1715
F	3130	3130	3500	3515
G	430	430	410	410
I	2450	2450	2450	2450
J	1185	1185	1250	1250
K	4525	4640	4565	4775
L	2640	3575	2675	3780
M	650	390	720	455
N	410	1180	455	1315
Q	4580	4695	4790	5015
R	2145	2145	2515	2515
T	2965 (2850*)	2965 (2850*)	3330 (3205*)	3330 (3205*)
U	-	50	-	84

(*) Closed cabin



TECHNICAL SPECIFICATIONS	D 600 AP	D 600 AP Plus	D 600 APG	D 600 APG Plus	D 1000 AP/Plus*	D 1000 APG/Plus*
Load capacity (Kg)	6000				10000	
Unloading system	Hydraulic, frontal		Hydraulic, 180° side rotating		Hydraulic, frontal	Hydraulic, 180° side rotating
Chassis	Articulated and oscillating					
Hopper capacities	Water	1950		1565	2440	1950
	Levelled	2650		2360	3750	3140
	Heaped	3290		3130	5225	4790
Engine	Diesel	KUBOTA V-3800-CR-TE4 with DPF y DOC		KUBOTA V-3800-CR-TE4 with DPF y DOC		KUBOTA V3800-CR-TIE4 with DPF y DOC
Stage III B / Tier 4 Int.	Power (KW/HP)	85 / 114		85 / 114		85 / 114
	Nº of Cylinders	4		4		4
	Cooling system	Water		Water		Water
Engine	Diesel	DEUTZ TD3.6 with DOC		DEUTZ TD3.6 with DOC	DEUTZ TCD3.6 L4 with DOC	
Stage III B	Power (KW/HP)	55,4 / 74		55,4 / 74	70 / 95	
	Nº of Cylinders	4		4	4	
	Cooling system	Water		Water	Water	
Engine	Diesel	KUBOTA V3600T		KUBOTA V3600T		KUBOTA V3800T
Non-EU EMISSION	Power (KW/HP)	63 / 86		63 / 86		74 / 99
Stage IIIA / Tier 3	Nº of Cylinders	4		4		4
	Cooling system	Water		Water		Water
Traction	4 x 4 permanent					
Transmission	Torque converter with synchronized gear box. 4 ratios forwards and 4 ratios backwards by means of an electro-hydraulic device. Axles with planetary reduction on differential output. Limited slip differential in both axles with negative parking brake on front axle and max. travel speed 30 km/h (Only mod. APG/APG Plus)					
Engine starting system	Electric					
Speed (max.) (km/h)	34				38 / 32 with engine DEUTZ	
Unladen weight (Kg)	4200		4380		4760	4990
Gradeability	60 %					
Hydraulic circuit	Gear pump of 25 cc. Working pressure 180 bar.					
Tyres	405/70-20" (14 PR)				500/60-22,5" (16PR")	
External turning radius (mm)	5700					
Steering	Hydraulic. Working pressure 115 bar					
Tank capacity (l)	Carburant (l)	65				
	Hydraulic fluid	65				
Service brake	Oil-immersed, multidisc, hydraulically operated					
Parking brake	Oil-immersed, multidisc, mechanically operated					
STANDARD EQUIPMENT	Fold down ROPS protective arch with folding assisted system by means gas spring.					
	Seat with suspension and adjustable in weight and distance with approved safety belt					
	Anti-vandal protection.					
	Audible reverse warning					
	Fold down rotating beacon.					
OPTIONAL EQUIPMENT	Full-Equip closed ROPS/FOPS cabin with heating including enhanced sound-proof and panoramic rear-mirrors.					
	Homologated ROPS/FOPS driver protective folding roof. Folding assisted by gas springs.					
	Homologated lighting system.					
	Emergency stop on controls dashboard.					
	Full visibility System through (FVS) front and rear cameras and TFT water-proof color 7" display for a total visibility and nightvision by infrared up to 10 m and obstacle sensors.					
	Great confort seat with total regulation.					
	Water-tight case for operation and maintenance manuals.					
	Towing hitch (Rockinger).					
	Electric take-off for towing - Obligatory lighting system					
	Reflective safety adhesives on rear body.					
	Front rubber fender.					